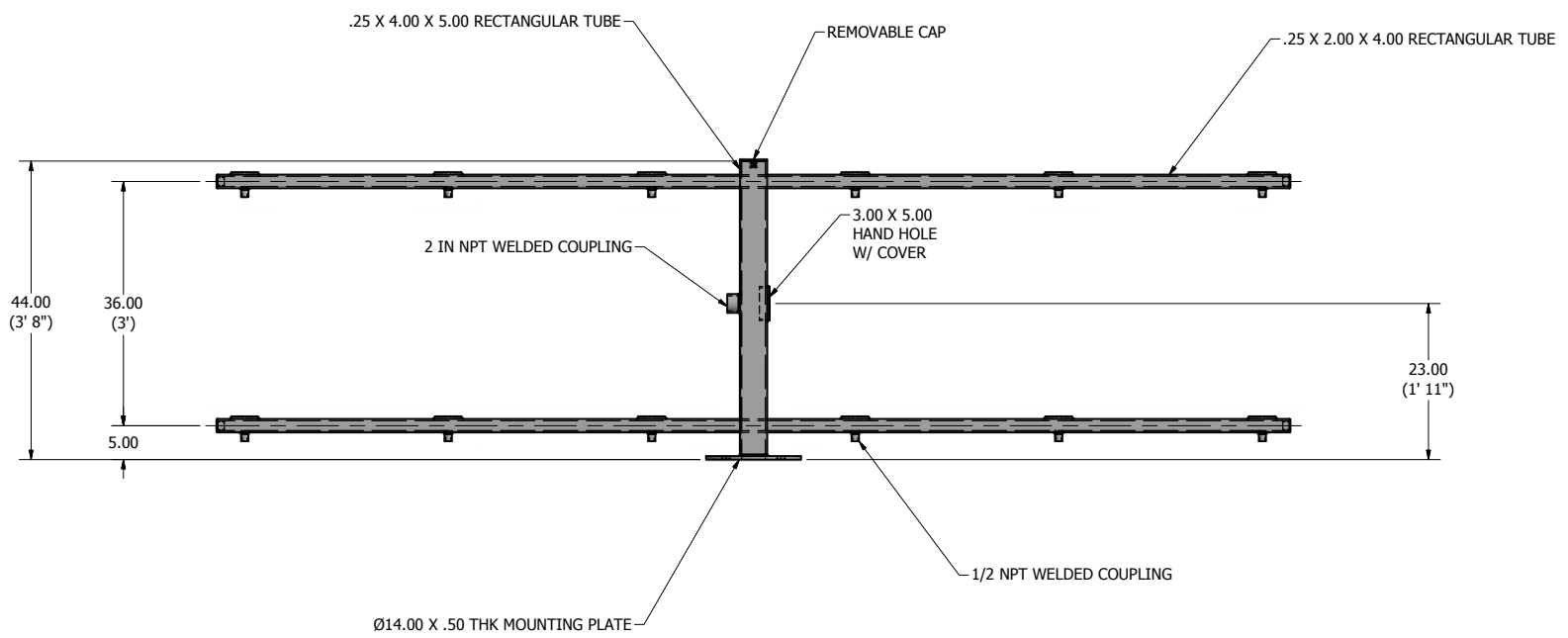
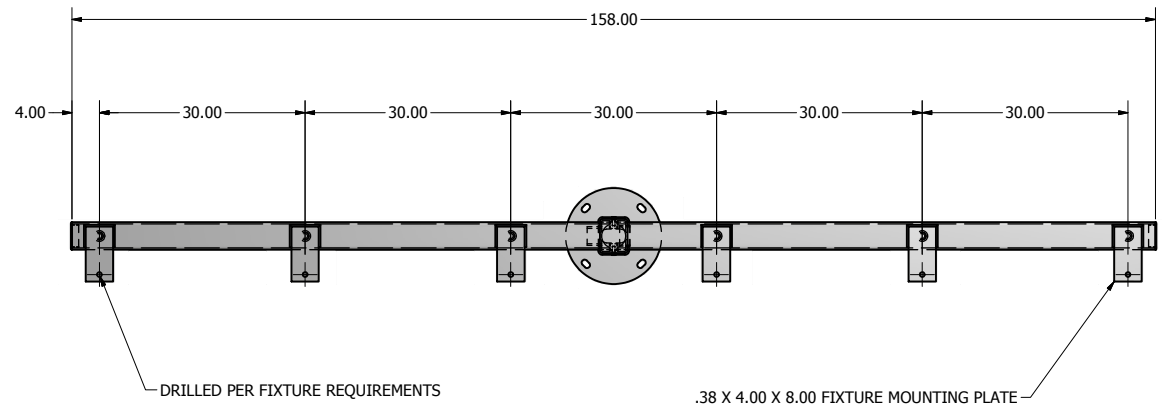


TOP MOUNTED CROSS ARM			
CATALOG #	FIXTURE QTY.	EPA (SQ. FT.)	WEIGHT (LBS.)
CRT-12	12	9.5	400



FINISH: TOP MOUNTED CROSS ARM BRACKET TO BE FINISHED TO MATCH POLE.

SOME GEOGRAPHICAL AREAS HAVE SPECIAL WIND CONDITIONS THAT CAN CREATE WIND INDUCED VIBRATIONS CAUSING A FATIGUE PROBLEM. NO METHOD HAS YET BEEN FOUND FOR PREVENTING OR REDUCING THESE VIBRATIONS. THEREFORE, THE CONDITIONS ARE RECOGNIZED AND CANNOT BE GUARANTEED AGAINST, AND ARE THE RESPONSIBILITY OF A LOCAL SITE ENGINEER.

TITLE:

CATALOG:

DWG NO: CRT-12

SIZE: C

SHEET 1 OF 1

23171 Groesbeck Hwy.
Warren, MI 48089
P: (586) 774-6105 | F: (586) 774-5706
www.generalstructuresinc.com

GENERAL STRUCTURES INC.
A DDM COMPANY

DRAWN: M. HARVALA	2/19/2015
CHECKED:	DATE:
REVISION:	APPROVED:
QUOTE:	S.O.#
REF:	SCALE: NONE

